

EC10001 - 1 Zone Timeswitch

Contents

- 1.) Factory default settings
- 2.) Factory program settings
- 3.) Resetting the timeswitch
- 4.) Setting the date and time
- 5.) ON/OFF period selection
- 6.) Adjusting the program settings
- 7.) Reviewing the program settings
- 8.) Boost function
- 9.) Holiday mode
- 10.) Backlight mode selection
- 11.) Keypad lock and unlock
- 12.) Frost protection
- 13.) Copy function
- 14.) Master reset



Caution!

Before commencing, disconnect the device from the mains. There are parts that carry mains voltage behind the cover. Never leave unsupervised when it is open. (Prevent non specialists and especially children from gaining access to it.)



Never remove this product from the electrical baseplate. Disconnect from mains supply in the event of any damage to any buttons. Do not use sharp tools to push any button.



Important: Keep this document

This 1 zone timeswitch is designed to provide ON/OFF control for 1 zone, with the value added application of in built frost protection.

1.) Factory default settings



Program: 5/2D
 Backlight: On
 Keypad: Unlocked
 Frost Protection: Off
 Automatic Winter / Summer change over

2.) Factory program settings



	5/2D					
	P1 ON	P1 OFF	P2 ON	P2 OFF	P3 ON	P3 OFF
Mon-Fri	6:30	8:30	12:00	12:00	16:30	22:30
Sat-Sun	7:30	10:00	12:00	12:00	17:00	23:00
	7D					
	P1 ON	P1 OFF	P2 ON	P2 OFF	P3 ON	P3 OFF
All 7 days	6:30	8:30	12:00	12:00	16:30	22:30
	24H					
	P1 ON	P1 OFF	P2 ON	P2 OFF	P3 ON	P3 OFF
Every day	6:30	8:30	12:00	12:00	16:30	22:30

3.) Resetting the timeswitch

It is necessary to press the **RESET** button prior to initial programming. This button is located behind the cover on the front of the unit.

4.) Setting the date & time

Lower the cover on the front of the unit. Move the selector switch to the **CLOCK SET** position.



Press the **+** or **-** buttons to select the day. Press **ok**
 Press the **+** or **-** buttons to select the month. Press **ok**
 Press the **+** or **-** buttons to select the year. Press **ok**
 Press the **+** or **-** buttons to select the hour. Press **ok**
 Press the **+** or **-** buttons to select the minute. Press **ok**
 Press the **+** or **-** buttons to select 5/2D, 7D or 24H. Press **ok**

The date, time and function are now set. Move the selector switch to the **RUN** position to run the program, or to the **PROG SET** position to change the program setting.

5.) ON/OFF period selection

There are 4 modes available on this programmer for users to choose for their individual application.

- AUTO** - The timeswitch operates 3 - ON/OFF periods per day.
- ALL DAY** - The timeswitch operates 1- ON/OFF period per day. This operates from the first ON time to the third OFF time.
- ON** - The timeswitch is permanently on. ****ON****
- OFF** - The timeswitch is permanently off. ****OFF****

Lower the cover on the front of the unit. By pressing the **ZONE 1 SELECT** button, you can change between AUTO - ALL DAY - ON - OFF for **Zone 1**.

6.) Adjusting the program settings

Lower the cover on the front of the unit.



Move the selector switch to the **PROG SET** position.

You can now program zone 1.

Press the **+** or **-** buttons to adjust the **P1 ON** time. Press **ok**

Press the **+** or **-** buttons to adjust the **P1 OFF** time. Press **ok**

Repeat this process to adjust the **ON & OFF** times for **P2 & P3**.

When completed, move the selector switch to the **RUN** position.

7.) Reviewing the program settings

Lower the cover on the front of the unit.



Move the selector switch to the **PROG SET** position.

By pressing **ok** this will review each of the **ON/OFF** times for P1 to P3.

When completed, move the selector switch to the **RUN** position.

8.) Boost function

This function allows the user to extend the **ON** period for 1, 2 or 3 hours. If the zone that you wish to **Boost** is timed to be **OFF**, you have the facility to switch it **ON** for 1, 2 or 3 hours.

Press **Zone 1 Boost** once, twice or three times respectively.

To cancel the boost function, simply press the **Zone 1 Boost** button again.

9.) Holiday mode

Lower the cover on the front of the unit.



Move the selector switch to the **RUN** position.

Press the **Holiday** button.

Press the **+** or **-** buttons to adjust the holiday period required. Press **ok**

The programmer is now switched **OFF** for the selected number of days.

By pressing **ok** again, this will cancel the holiday mode, thereby returning the programmer to the normal settings.

10.) Backlight mode selection



On

There are two settings for selection. The factory default setting is **ON**.

ON - The backlight is permanently ON.

AUTO - On pressing any button the backlight stays on for 10 seconds.

To adjust the backlight setting, lower the cover on the front of the unit.

Move the selector switch to the **RUN** position.




Press the **ok** button for 5 seconds.

Press either the **+** or **-** buttons to select the **ON** or **AUTO** mode. Press **ok**

11.) Keypad lock and unlock Unlocked

To lock the keypad, press and hold the **ok** and **Holiday** buttons for 5 seconds.

 will appear on the screen. The keypad is now locked.

To unlock the keypad, press and hold the **ok** and **Holiday** buttons for 5 seconds.

 will disappear from the screen. The keypad is now unlocked.

12.) Frost protection function Off

Selectable range 5~20°C

This function is set to protect pipes against freezing or to prevent low room temperature when the timeswitch is programmed to be OFF or is manually OFF.

Frost protection can be activated by following the procedure below.

Move the selector switch to the RUN position.

Press both the **+** and **-** buttons for 5 seconds, to enter selection mode.

Press either the **+** or **-** buttons to turn **On** or turn **Off** frost protection

Press **ok** button to confirm

Press either the **+** or **-** buttons to increase or decrease the desired frost protection setpoint.

Press **ok** to select.

Zone 1 will be switched ON in the event of room temperature falling below the frost protection setpoint.

13.) Copy function

Copy function may only be used if the timeswitch is in the 7D mode.

Lower the cover on the front of the timeswitch.
Move the selector switch to the **PROG SET** position.



First, program one of the days of the week with a schedule you wish to copy to other days.

While still on that day press and hold the **Holiday** button.
This will take you into the Copy screen.

The day of the week that is to be copied is shown and the day it is to be copied to is flashing.

Press the **+** button to copy the schedule to this day.

Press the **-** button to skip this day

Continue in this fashion by pressing the **+** button to copy the schedule to the day flashing and by pressing the **-** button to skip that day.

When you are finished press the **ok** button and the timeswitch will return to the standard schedule programming screen.

14.) Master reset

Lower the cover on the front of the timeswitch.

There are four hinges holding the cover in place.

Between the 3rd and 4th hinges there is a circular hole.

Insert a ball point pen or similar object to master reset the timeswitch.

After pressing the master reset button, the date and time will now need to be reprogrammed.

Features:

- Pre-set Clock
- 3 On / Off Periods
- Lockable Keypad
- 1,2,3, Hour Boost
- Frost Protection
- Blue Backlight Display
- Auto Winter / Summer Time
- 24Hour - 5/2 Day - 7 Day

EC10001 - 1 Zone Timeswitch

For use in normal environments.



Before commencing any work on the electrical connections, you must first disconnect the device from the mains. None of the 230V connections must be live until the installation has been completed and the housing is closed. Only qualified electricians or authorised service staff are permitted to open the terminal box.



Caution! There are parts that carry mains voltage behind the cover. The terminal box must not be left unsupervised when open. (Prevent non specialists and especially children from gaining access to it.)



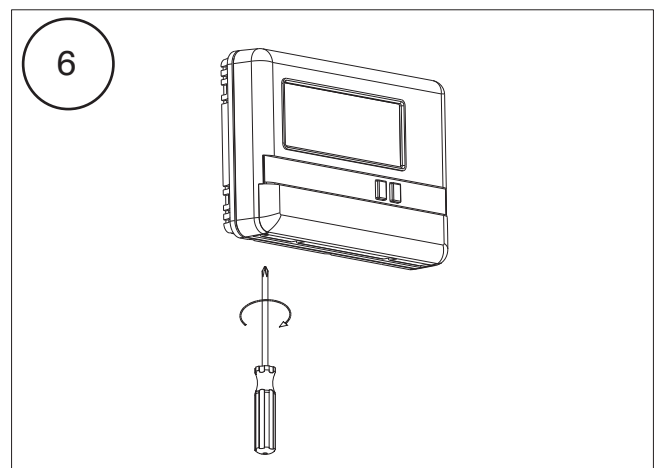
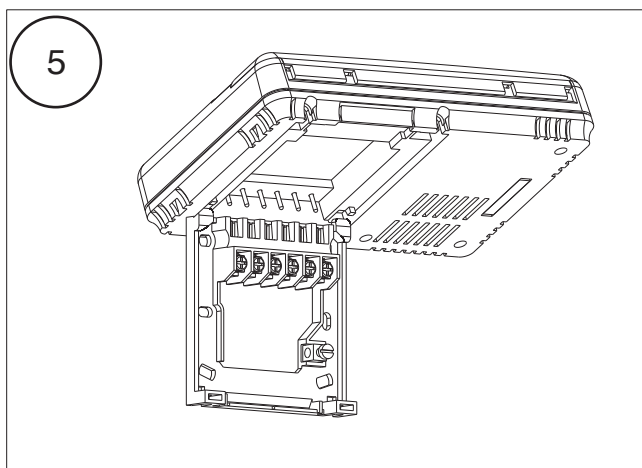
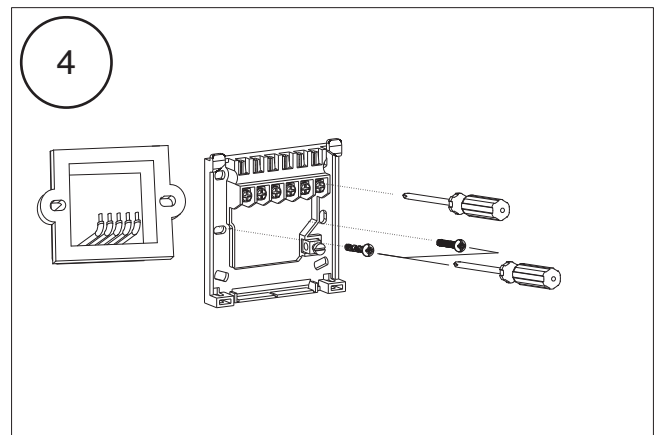
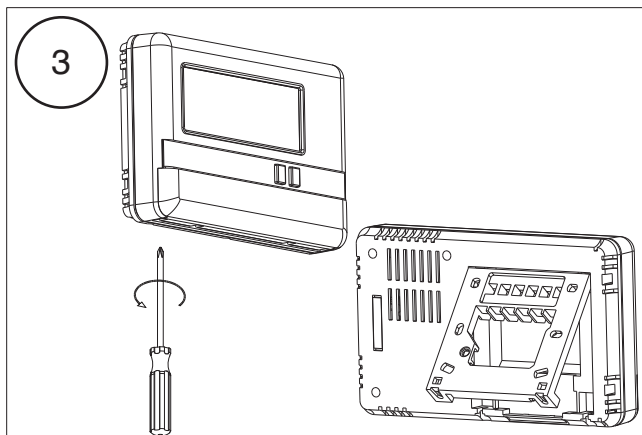
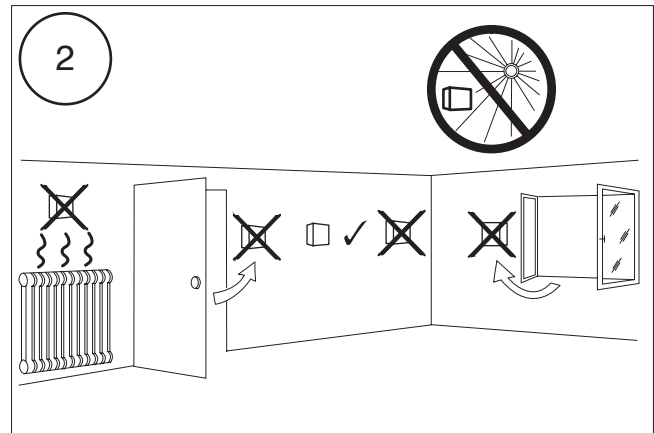
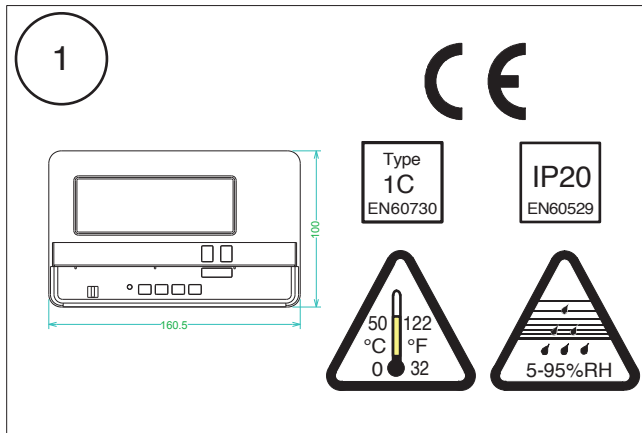
If the device is used in a way not specified by the manufacturer, its safety may be impaired.



This timeswitch can be mounted in the following ways:

1. Directly wall mounted
2. Mounted to a recessed conduit box

Installation and connection should only be carried out by a qualified person and in accordance with national wiring regulations.



EC10001 - 1 Zone Timeswitch

Contents

- 1.) Factory default settings
- 2.) Specifications & wiring
- 3.) Master reset



Caution!

Before commencing, disconnect the device from the mains. There are parts that carry mains voltage behind the cover. Never leave unsupervised when it is open. (Prevent non specialists and especially children from gaining access to it.)



Never remove this product from the electrical baseplate. Disconnect from mains supply in the event of any damage to any buttons. Do not use sharp tools to push any button.



Prior to setting the timeswitch, it is necessary to complete all required settings described in this section.

Important: Keep this document

This 1 zone timeswitch is designed to provide ON/OFF control for 1 zone, with the value added application of in built frost protection.

1.) Factory default settings

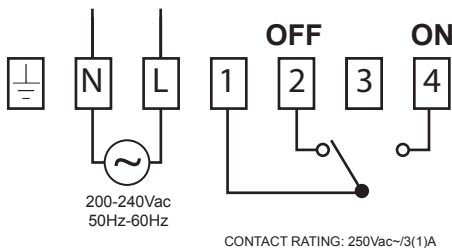
Contacts:	Volt free contact
Program:	5/2D
Backlight:	On
Keypad:	Unlocked
Frost Protection:	Off
Clock type:	24 Hr Clock
Automatic Winter / Summer change over	

Features:

- Pre-set Clock
- 3 On / Off Periods
- Lockable Keypad
- 1,2,3, Hour Boost
- Frost Protection
- Blue Backlight Display
- Auto Winter / Summer Time
- 24Hour - 5/2 Day - 7 Day

2.) Specifications & wiring

Power Supply: 230 Vac	Backlight: Blue
Ambient Temp: 0~35°C	IP rating: IP20.
Contact Rating: 250 Vac 3A(1A)	Backplate: British System Standard
Program Memory backup: 1 year	Pollution degree 2: Resistance to voltage surge 2000V; as per EN 60730
Battery: 3Vdc Lithium LIR 2032	Automatic Action: Type 1.5
	Software: Class A



If mains voltage output is required, terminals L & 1 must be electrically linked. The cable link is provided with this programmer.

3.) Master reset

Lower the cover on the front of the programmer. There are four hinges holding the cover in place. Between the 3rd and 4th hinges there is a circular hole. Insert a ball point pen or similar object to master reset the programmer.

After pressing the master reset button, the date and time will now need to be reprogrammed.