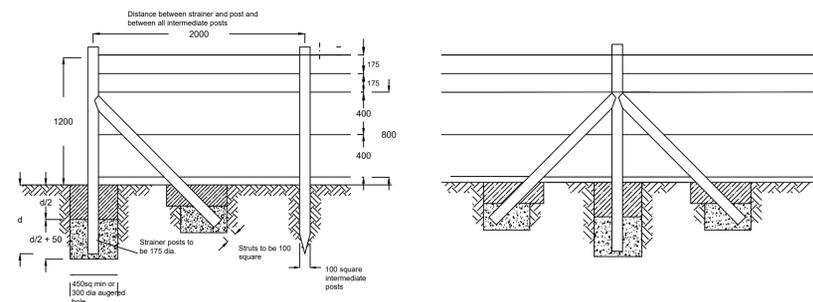
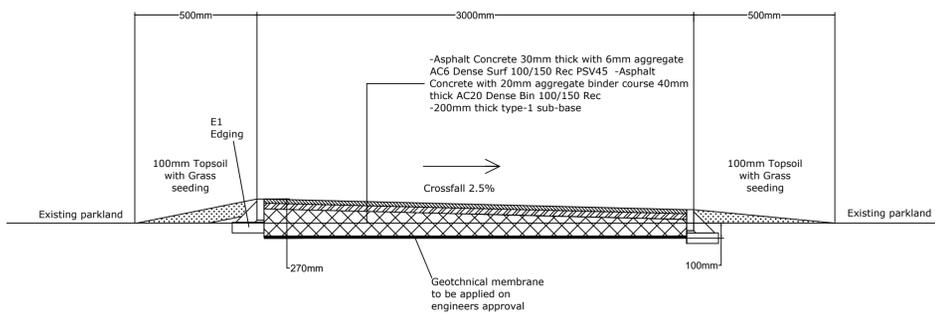


-  3m Wide Shared Use Footpath. Excavate 100mm of existing footway. Supply and install geotextile membrane (to engineers approval). Supply and install 200mm thick MoT Type 1 sub base, 40mm thick AC20 binder course and 30mm thick AC6 surface course
-  Verge graded to suit existing park and banking levels.
-  1.2m High post and 5 wire fence.

TYPICAL CROSS SECTION



FENCE DETAIL 1.1
Post & wire, no barb

- NOTES
1. B.S. 1722 Part 2 applies unless otherwise stated.
 2. Dimensions of foundation, type and size of posts, struts mesh etc. shall be taken from B.S. 1722 Part 2 as appropriate to the height and purpose of the fence and with any other requirements described in the Drawings.
 3. Fence to have 5 plain wires and Rylock netting. Rylock netting should be attached to plain wires so live stock can't get their head stuck. Single plain wire to be installed on opposite side of fence to Rylock netting.
 4. Wires shall be fixed on the field side.
 5. Strainer posts to be provided at all changes in horizontal and vertical direction and at 100m maximum spacing.
 6. All timber shall comply with Specification Clause 304 unless otherwise stated.
 7. Timber struts and posts may be supported in rammed basalt unless otherwise stated.
 8. ALL DIMENSIONS ARE IN MILLIMETRES.

REV	AMENDMENTS	BY	APP'VD	DATE

Fife COUNCIL ASSETS, TRANSPORTATION & ENVIRONMENT
HEAD OF ROADS AND TRANSPORTATION - JOHN MITCHELL

TITLE:
DREELPARK
MULTI USE PATH
GENERAL LAYOUT

DRAFT		TENDER		CONSTRUCTION		AS BUILT	
DESIGNED	MB	DRAWN	MB	CHECKED		APPROVED	
DATE: 04/04/23		SCALE: N.T.S.		DRAWING No.: 01/P30045/1100/003			